



# Helical Piles

## The HCM Difference

HC MATCON INC. OFFERS A CHOICE OF ECONOMICAL HELICAL PILES FOR DEEP FOUNDATION CHALLENGES. WORKING WITH OUR IN-HOUSE EXPERTS – RWH ENGINEERING INC – WE PROVIDE COST-SAVING BENEFITS THROUGH HELICAL PILE DESIGN WHILE PROVIDING A FULL SCOPE OF SERVICES INCLUDING THE SUPPLY, INSTALLATION AND LOAD TESTING OF HELICAL FOUNDATIONS.

In order to provide deep foundation solutions to a variety of projects, HC Matcon offers two distinct helical products, including the HCM-SD helical, which we custom fabricate in house. The HCM-SD helical features sacrificial steel design and provides increased lateral support, moment capacity and larger axial capacities than other helical products.

### HELICAL PRODUCTS:

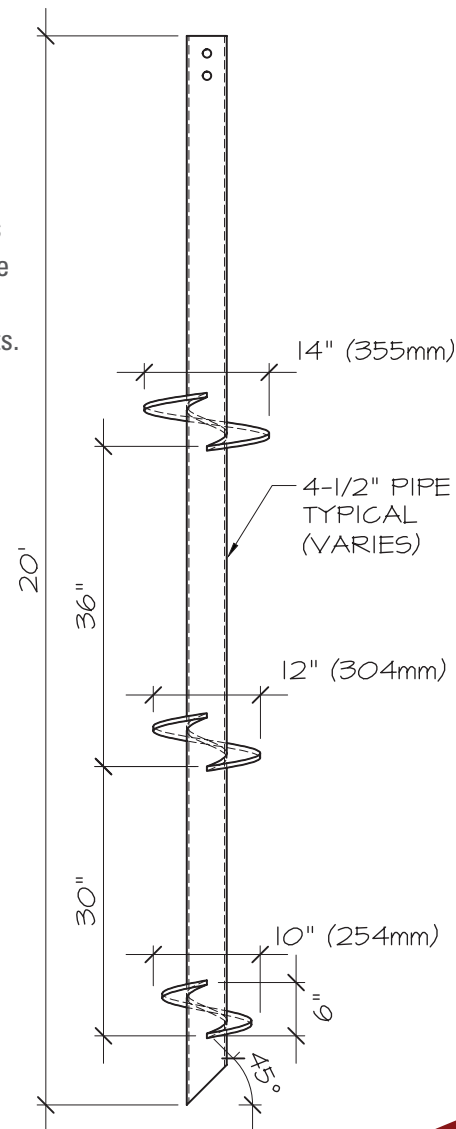
#### HCM-ECP

Standard Sizes		Practical Load Limit
1-3/4" Square Bar	10" to 14" Flights	489 kN
2-1/4" Square Bar	8" to 14" Flights	890 kN
2-7/8" Dia. x 0.262"	8" to 14" Flights	356 kN
3-1/2" Dia. x 0.300"	8" to 14" Flights	512 kN

#### HCM-SD (Sacrificial Design)

Standard Sizes		Practical Load Limit
4-1/2" Dia. x 0.250" *	10" to 16" Flights	1064 kN
High Capacity Sizes		
5-1/2" Dia. x 0.361"	20" to 24" Flights	1200 + kN
7" Dia. x 0.362"	20" to 28" Flights	1200 + kN
8-5/8" Dia. x 0.352"	20" to 28" Flights	1200 + kN
Up to 12" Dia.	Min. 30" Flights	1200 + kN

\* thicker walls can be used for more corrosive soils



For more information on sustainable foundations and the HCM Group, contact:  
 Martin Halliwell, P.Eng. 519-240-6334 Jason Weck, P.Eng. 416-457-8313  
 Canada-wide Engineering Help Line: 1-855-FDN-SUST (1-855-336-7878)